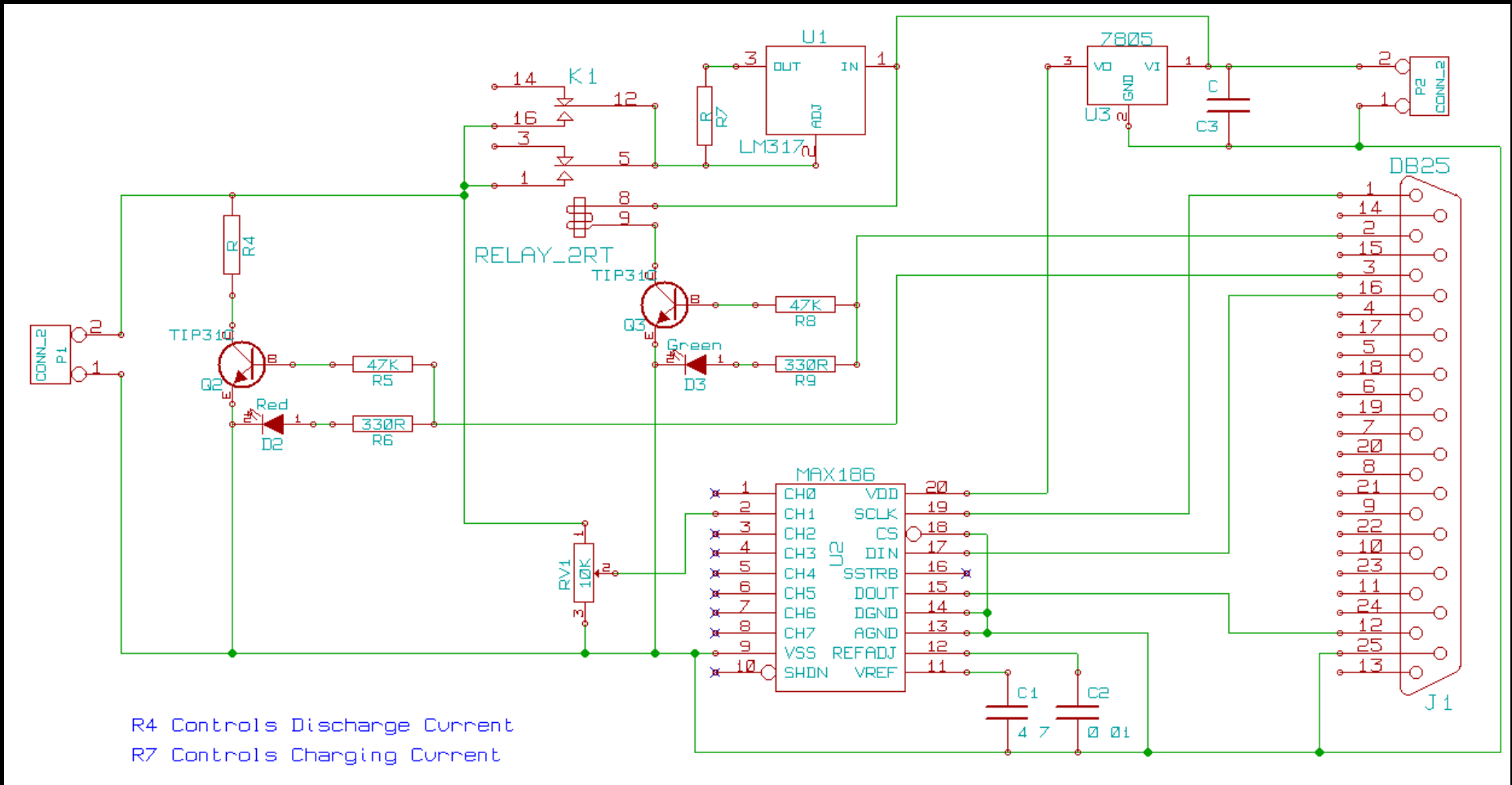


## Using The Technology

### RC Vehicle Battery Monitor

- ⇒ Discharging
  - Resistors
  
- ⇒ Charging
  - LM317 adjustable voltage regulator
  
- ⇒ Monitoring
  - Analogue to Digital Converter
  
- ⇒ Control
  - Transistors and Relay

# Electronics



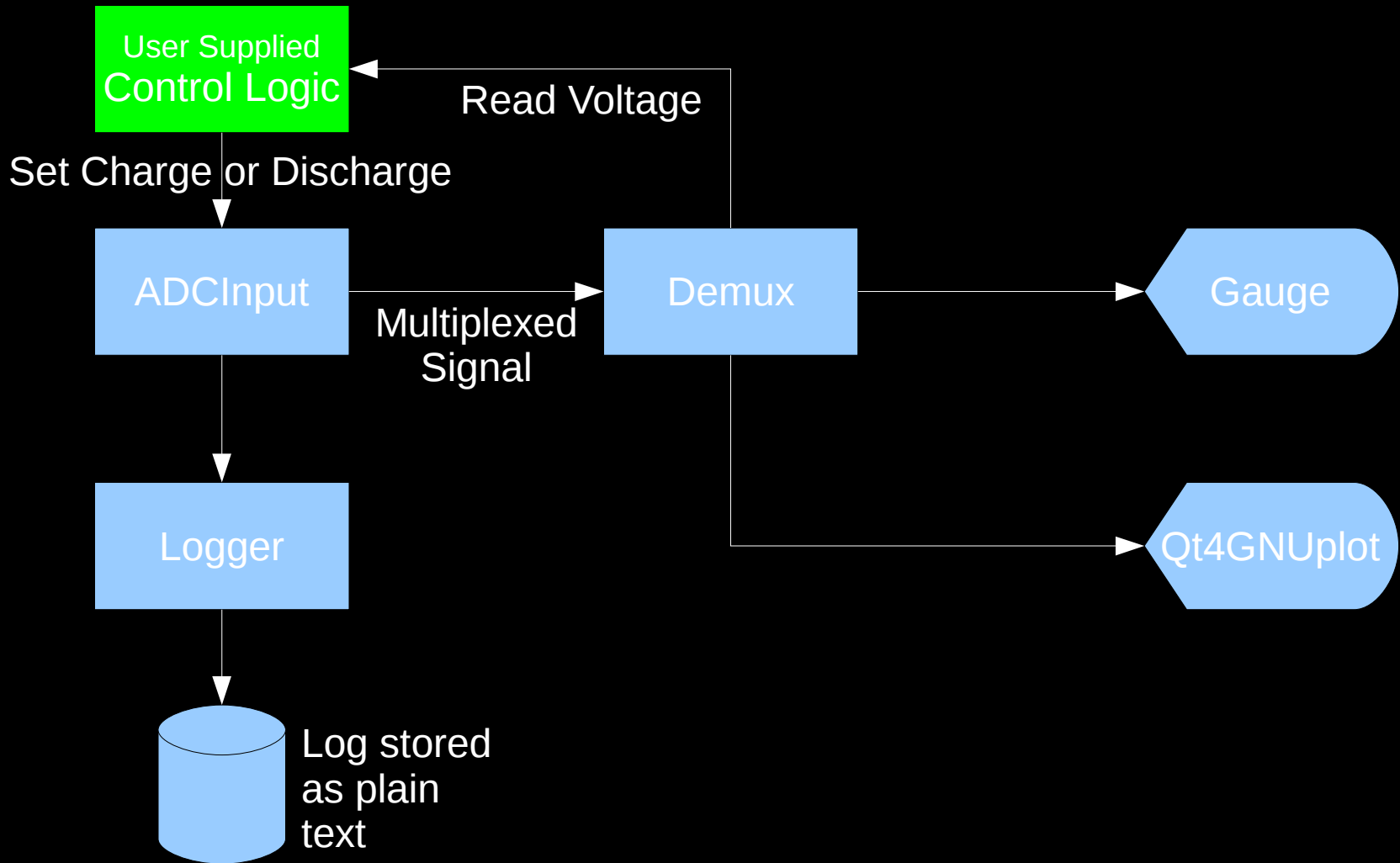
## ⇒ Data Lines:

- 8 Data Pins
- 4 Control Pins
- 5 Status Pins

## ⇒ Software:

- Controlled from user-space by using `ioctl()`
- OpenPilot's `ADCInput`
  - Handles Opening/Closing the Device
  - Includes Drivers for MAX186 ADC

# Software Design





*Live Demo!*

Tim Brocklehurst  
Hampshire Linux User Group  
May 2010

# *Getting Involved*

Using the software!

Developing the software

Lending hardware

Documentation (There's always plenty to do!)

Translations

Suggestions and feedback

# Marine Navigation Software

Open-Source

QT4 Based

Supported by

**TEK TANKS**